

# **MagraHearth XL Corbel Mounting Instructions**

## **Non-Combustible ASTM E-136\***

\*Standard Test Method for Behavior of Materials in a Vertical Tube Furnace of 750 Degrees

### **Tools needed:**

### **Parts:**

Power screw driver with Phillips head drive	2- MagraHearth corbels
Level	4- Mounting Bracket 2" x 2" x 6"
Tape Measure	8- trim Head Screws
Stud Locator	8- 2 1/4" sharp point screws for Mounting Bracket

- **Mantels are true replications of century's old & natural materials. There are inherently irregular aspects of these artifacts.**
- **It is important for you to have the corbel location and backing inside the wall in place before starting install.**
- **All pieces can be cut to size – Use a diamond blade 4 1/2 inch grinder or circular saw. Wearing safety glasses, and respirator is recommended.**
- **If you are unable to find studs, you need to open the wall and add wood studs or 16 gauge metal studs if in the non-combustible zone.**
- **If part or all of the corbel is over the metal face of the unit, self-tapping screws may be used to install mounting bracket directly to the unit.**
- **If attaching mounting bracket over a masonry surface use proper masonry anchor for the type of surface you are attaching to- consult your fastener supplier. The anchor should be able to support 4 times the load.**

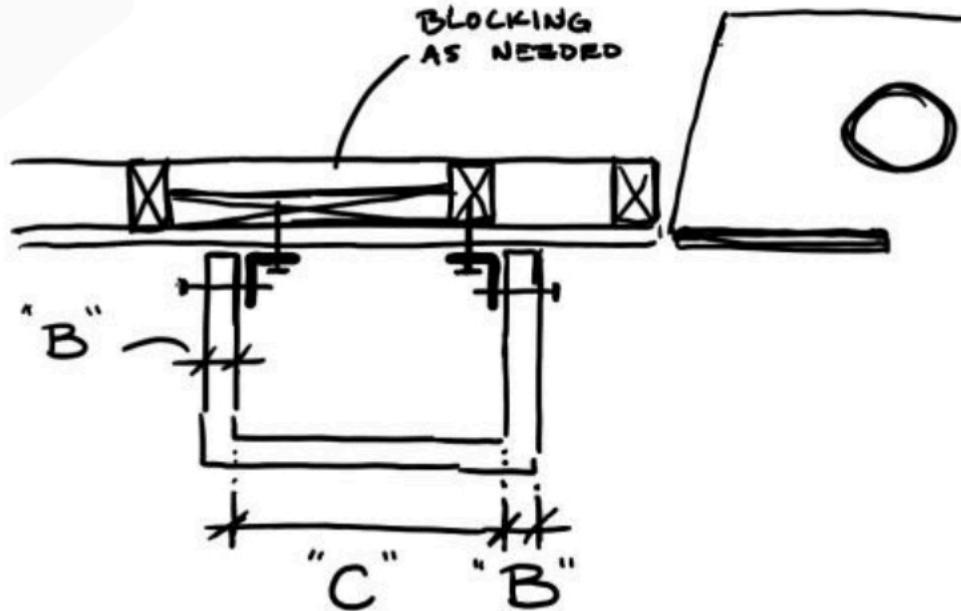
### **INSTALLATION INSTRUCTIONS**

- **Step 1.** Unpack corbels from box. Remove protective foam.
- **Step 2.** Remove mounting brackets carefully from inside box. Mounting screws will be in a plastic bag inside the box.
- **Step 3.** Prepare corbels by pre-drilling holes for trim head screws. Drill 1/8" holes all the way through at 1 1/2" from top, and 1" from back of corbel. Use 1/4" drill bit to countersink screws 1/16" of an inch.
- **Step 4.** Determine corbels placement and mark vertical center line on wall.

- **Step 5.** Hold corbels in place and trace a pencil line on both sides use measurement "B" to determine the thickness of corbel to mark line for mounting brackets.

Take measurement "B", install inside 2x2 mounting bracket to wall with sharp point screws.

Picture for measurement "B"



- **Step 6.** Install mounting brackets using 2 sharp point screws per bracket. When installing 2x2 mounting bracket to wall we recommend pre-drilling the bracket.

The 2x2 mounting brackets must be screwed to framing through wood or steel. Make sure there is backing for 2x2 mounting brackets. (open the wall & add wood or metal 2X if needed)

- **Step 7.** Test fit corbels to make sure they fit over brackets, then check for level and placement, take the corbel off and adjust mounting brackets if needed.
- **Step 8.** Install corbels with trim head screws.

Your installation of the MagraHearth Mantel should now be complete. If you have any questions, you can contact us at [techsupport@magrahearth.com](mailto:techsupport@magrahearth.com).